



PicoFix - Rigid pipe coupling

Model MX900

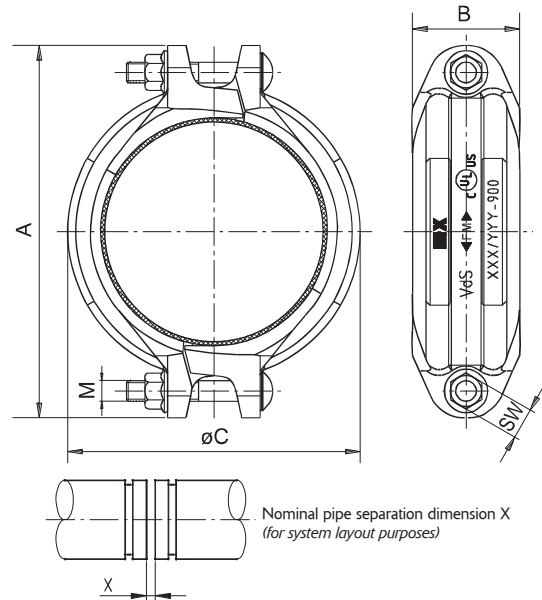
Technical features

- Available coupling sizes (nominal): DN32/1 1/4" to DN200/8"
- Pressure data:
Maximum working pressure:
UL¹ & FM: Max 20.7 bar (300 psi)
VdS: Max 16 bar (232 psi)
- Temperature data:
Operating temperature: -40°C to +110°C
- Material:
Coupling - ductile cast iron to ASTM A536, Gr. 65-45-12
Gasket* - EPDM rubber
Nuts & bolts - heat treated carbon steel, zinc electroplated with yellow chromate
- Finish**: Fusion bonded polyester coating, red similar to RAL3000 or hot dipped galvanised according to ASTM A153A/A153M Class A
- Application: Water-based fire protection systems

¹ Pipe coupling DN150/168.3 max. 17 bar (250 psi) if used with schedule 10 or 40 steel pipes

* EPDM gaskets must never be brought into contact with lubricants or oils containing mineral oils, as well as other materials containing mineral oils (e.g. fuels or cleaning agents)

** Couplings can be ordered in white similar to RAL9010 or with a special colour



Grooved Products



PicoFix - Rigid pipe coupling - Model MX900

Physical data

Nominal size		Pipe O.D. (mm)	Dimensions (mm)				Bolts	SW (mm)	Reference		Weight (kg)	
DN	inch		A	B	øC	X			Painted red	Galvanized		
32	1 1/4"	42.4	99	46.5	64	2.6	15	849262	849272	0.57		
40	1 1/2"	48.3	125		70			849264	849273	0.59		
50	2"	60.3	121		85			849265	849274	0.72		
65	2 1/2"	76.1	137	47.5	102			849266	849276	0.91		
80	3"	88.9	150		115			849267	849277	0.98		
100	4"	114.3	180		142			849268	849278	1.50		
125	5"	139.7	214	52.5	171	5.3	18	849269	849279	2.05		
150	6"	168.3	245		201			849270	849280	2.53		
200	8"	219.1	331		258			849271	849281	5.48		
									30			



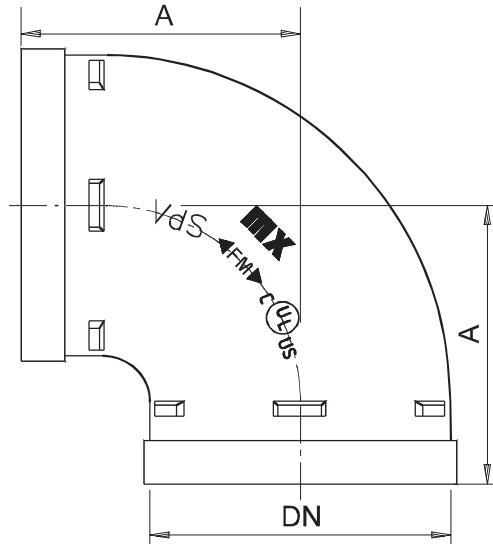
PicoFix - 90° Elbow

Models MX910 & MX910L

Technical features

- Available coupling sizes (nominal): DN32/1 1/4" to DN200/8"
- Pressure data:
Maximum working pressure :
UL & FM: Max 20.7 bar (300 psi)
VdS: Max 16 bar (232 psi)
- Material:
Elbow - ductile cast iron to ASTM A536, Gr. 65-45-12
- Finish*: Fusion bonded polyester coating, red similar to RAL3000 or hot dipped galvanised according to ASTM A153A/A153M Class A
- Application: Water-based fire protection systems

* Pipe fittings can be ordered in white similar to RAL9010 or with a special colour



Grooved Products



PicoFix - 90° Elbow - Models MX910 & MX910L

Physical data

Nominal size		Pipe O.D. (mm)	A (mm)	Reference		Weight (kg)
DN	inch			Painted red	Galvanized	
32*	1 1/4"	42.4	70	849385	849396	0.46
40*	1 1/2"	48.3		849386	849397	0.50
50	2"	60.3		849387	849398	0.71
65	2 1/2"	76.1	76	849388	849399	0.99
80	3"	88.9	86	849389	849400	1.28
100	4"	114.3	102	849390	849401	2.15
125	5"	139.7	124	849392	849402	3.67
150	6"	168.3	140	849394	849403	5.33
200	8"	219.1	175	849395	849404	10.46

* Model 910L



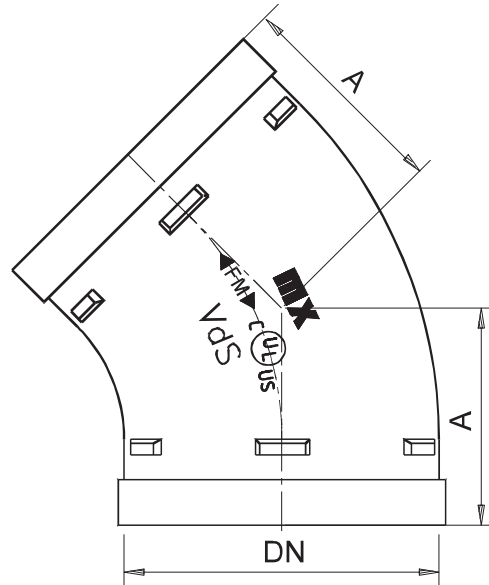
PicoFix - 45° Elbow

Model MX920

Technical features

- Available coupling sizes (nominal): DN32/1 1/4" to DN200/8"
- Pressure data:
Maximum working pressure:
UL & FM: Max 20.7 bar (300 psi)
VdS: Max 16 bar (232 psi)
- Material:
Elbow - ductile cast iron to ASTM A536, Gr. 65-45-12
- Finish*: Fusion bonded polyester coating, red similar to RAL3000 or hot dipped galvanised according to ASTM A153A/A153M Class A
- Application: Water-based fire protection systems

* Pipe fittings can be ordered in white similar to RAL9010 or with a special colour



Grooved Products



PicoFix - 45° Elbow - Model MX920

Physical data

Nominal size		Pipe O.D. (mm)	A (mm)	Reference		Weight (kg)
DN	inch			Painted red	Galvanized	
32	1 1/4"	42.4	44	849416	849426	0.34
40	1 1/2"	48.3	44	849417	849427	0.40
50	2"	60.3	51	849418	849428	0.48
65	2 1/2"	76.1	57	849419	849429	0.75
80	3"	88.9	64	849420	849430	1.00
100	4"	114.3	76	849422	849431	1.89
125	5"	139.7	83	849423	849432	2.92
150	6"	168.3	89	849424	849434	4.40
200	8"	219.1	108	849425	849435	7.74



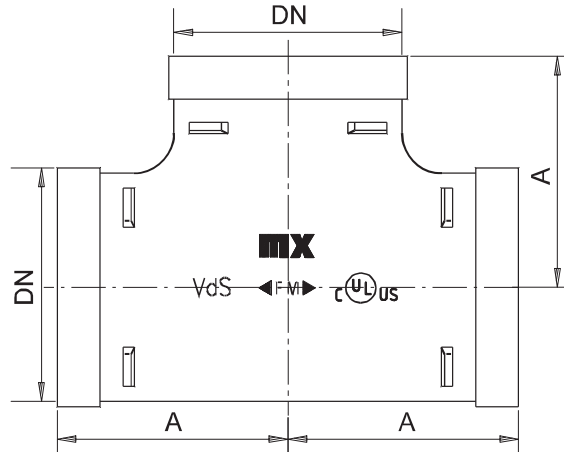
PicoFix - Tee

Model MX930 & MX930L

Technical features

- Available coupling sizes (nominal): DN32/1 1/4" to DN200/8"
- Pressure data:
Maximum working pressure :
UL & FM: Max 20.7 bar (300 psi)
VdS: Max 16 bar (232 psi)
- Material:
Tee - ductile cast iron to ASTM A536, Gr. 65-45-12
- Finish*: Fusion bonded polyester coating, red similar to RAL3000 or hot dipped galvanised according to ASTM A153A/A153M Class A
- Application: Water-based fire protection systems

* Pipe fittings can be ordered in white similar to RAL9010 or with a special colour



Grooved Products



PicoFix - Tee - Models MX930 & MX930L

Physical data

Nominal size		Pipe O.D. (mm)	A (mm)	Reference		Weight (kg)
DN	inch			Painted red	Galvanized	
32*	1 1/4"	42.4	70	849292	849302	0.70
40*	1 1/2"	48.3	70	849293	849303	0.78
50	2"	60.3	70	849294	849304	0.90
65	2 1/2"	76.1	76	849295	849306	1.25
80	3"	88.9	86	849296	849307	1.88
100	4"	114.3	102	849297	849308	3.02
125	5"	139.7	124	849298	849309	4.65
150	6"	168.3	140	849300	849310	7.05
200	8"	219.1	175	849301	849311	13.60

* Model 930L



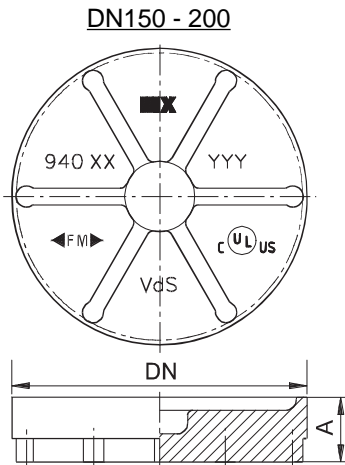
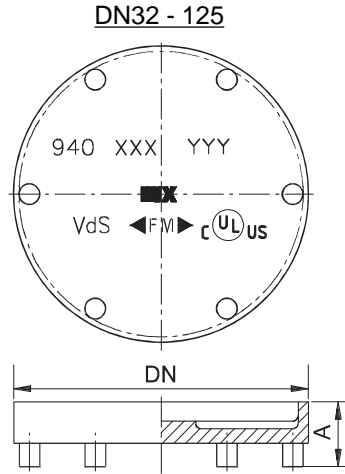
PicoFix - End cap without bore

Model MX940

Technical features

- Available coupling sizes (nominal): DN32/1 1/4" to DN200/8"
- Pressure data:
Maximum working pressure :
UL & FM: Max 20.7 bar (300 psi)
VdS: Max 16 bar (232 psi)
- Material:
End cap - ductile cast iron to ASTM A536, Gr. 65-45-12
- Finish*: Fusion bonded polyester coating, red similar to RAL3000 or hot dipped galvanised according to ASTM A153A/A153M Class A
- Application: Water-based fire protection systems

* Pipe fittings can be ordered in white similar to RAL9010 or with a special colour



Grooved Products

PicoFix - End cap without bore - Model MX940

Physical data

Nominal size		Pipe O.D. (mm)	A (mm)	Reference		Weight (kg)
DN	inch			Painted red	Galvanized	
32	1 1/4"	42.4	23	849322	849333	0.11
40	1 1/2"	48.3		849323	849334	0.14
50	2"	60.3	25	849324	849335	0.18
65	2 1/2"	76.1		849325	849336	0.28
80	3"	88.9		849326	849337	0.37
100	4"	114.3		849327	849338	0.57
125	5"	139.7		849328	849339	0.92
150	6"	168.3		849331	849340	1.45
200	8"	219.1	31	849332	849341	3.74



PicoFix - End cap with bore

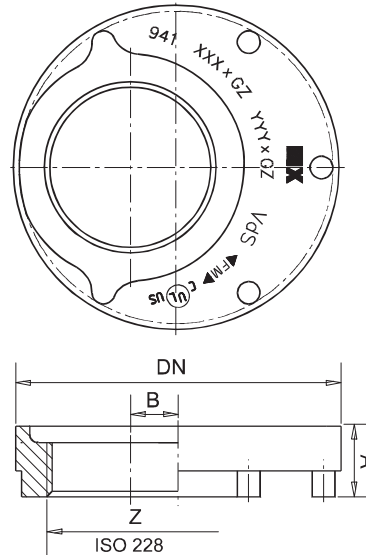
Model MX941

Technical features

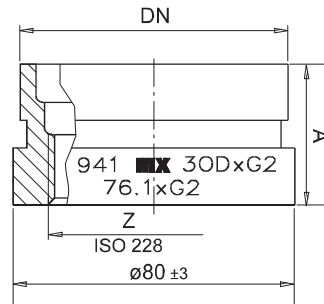
- Available coupling sizes (nominal): DN50/2" to DN200/8"
- Pressure data:
Maximum working pressure:
UL & FM: Max 20.7 bar (300 psi)
VdS: Max 16 bar (232 psi)
- Thread: ISO228, compatible with BSP/ISO (R) threads
- Material:
End cap - ductile cast iron to ASTM A536, Gr. 65-45-12
- Finish*: Fusion bonded polyester coating, red similar to RAL3000 or hot dipped galvanised according to ASTM A153A/A153M Class A
- Application: Water-based fire protection systems

* Pipe fittings can be ordered in white similar to RAL9010 or with a special colour

DN50, DN80 - 200



DN65



PicoFix - End cap with bore - Model MX941

Physical data

Nominal size		Pipe O.D. (mm)	A (mm)	B (mm)	Thread	Reference		Weight (kg)
DN	inch					Painted red	Galvanized	
50	2"	60.3	25	6.6	G1" - eccentric	849350	849358	0.29
65	2½"	76.1	40	-	G2" - centric	849351	849359	0.48
80	3"	88.9	25	3.5	G2" - eccentric	849352	849360	0.46
100	4"	114.3	25	16.0	G2" - eccentric	849353	849361	0.71
125	5"	139.7	25	28.7	G2" - eccentric	849355	849362	0.94
150	6"	168.3	25	43.0	G2" - eccentric	849356	849363	1.41
200	8"	219.1	31	68.2	G2" - eccentric	849357	849364	3.98